

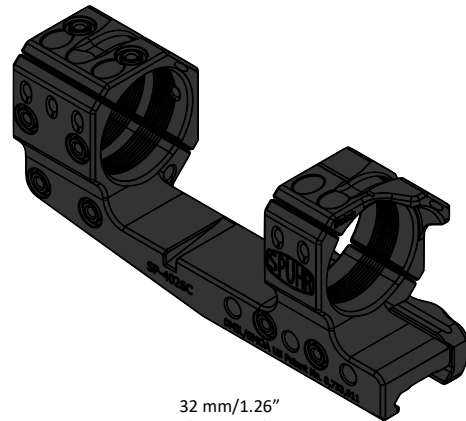


# SP-4026C

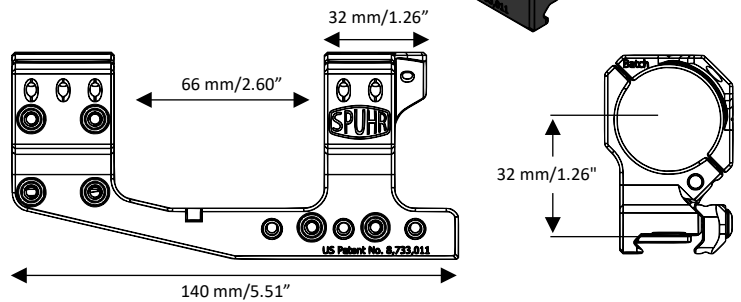
## Cantilever Mount $\varnothing 34$ H32mm/1.26" 0MIL PIC Gen3

### The Noveske Shooting Team Mount

Rings: 34 mm  
Tilt: 0 MIL/MOA  
Height: 32 mm/1.26"  
Length: 140 mm/5.51"  
Weight: 217 g/7.7 oz  
Interfaces: 7 sets  
EAN: 7340150702083



The **IDEAL SCOPE MOUNT SYSTEM** series of mounts feature **seven set of interfaces to attach any of more than 40 different accessories**. The rings are diagonally cut for increased visibility of the elevation and windage turrets (US Patent 8,733,011).



The mounts are machined from billet 7000-series aluminum and all aluminum parts are hardcoat anodized. The Torx 20 ring and clamping screws are zinc-nickel coated for corrosion resistance and come pre-waxed from the factory to ensure proper torque values.

The mounts are machined from billet 7000-series aluminum and all aluminum parts are hardcoat anodized. The Torx 20 ring and clamping screws are zinc-nickel coated for corrosion resistance and come pre-waxed from the factory to ensure proper torque values.

The mount is shipped with a manual and a “wedge” leveling key.

### NOTE:

The original SP-4026 was designed for 3-gun competition by **The Noveske Shooting Team**. The SP-4026C will fit most 34 mm scope tubes except for scopes with extended erector housings, such as the US Optics TPAL/EREK. This mount was designed for use on AR-15 carbines and does not align with back-up iron sights. Due to the low height and extreme cantilever, the SP-4026C does not feature a bubble level as the rest of the ISMS series do.

CONTACT

**Spuhr i Dalby AB**

Phone: +46 46 712 012

Web: [www.spuhr.com](http://www.spuhr.com)

Address:

Terminalvägen 19

SE-246 42 Löddeköpinge

Sweden