



TRIGGERTECH

AR SAFETY

Disclaimer
Limited Warranty
Satisfaction Guarantee
Installation Instructions

E11H

TriggerTech Disclaimer

Improper handling, installation, storage and/or use of Trigger Tech products and/or the firearm in which they are installed, can cause death, serious injury and/or property damage.

TriggerTech products are designed solely for installation and use in the specific firearm for which they are advertised. It is the purchaser's responsibility to determine compatibility.

Aftermarket trigger handling and installation can involve complicated procedures and presuppose knowledge of firearms handling. If a purchaser or user is not familiar, or not sufficiently familiar, with firearms handling and exchanging out trigger components, the purchaser or user (collectively, "Purchaser") must seek further information and assistance from a gunsmith or other qualified professional.

By installing or using any purchased TriggerTech trigger product ("TT Product") the Purchaser agrees to the following terms and conditions: 1. The Purchaser will abide by all applicable firearm safety laws, protocols, and regulations in force in the jurisdiction

where the TT Product is handled, installed, stored and/or used; 2. The Purchaser certifies that he/she is legally entitled to purchase and use the TT Product and the firearm in which it is to be installed, in the jurisdiction where the TT Product is purchased and used; 3. The Purchaser assumes responsibility for ensuring that any users of the TT Product comply with these terms and conditions and with all applicable firearms safety protocols and regulations when handling, installing, storing and/or operating the TT Product; 4. The Purchaser agrees to conduct a test for proper trigger fit and function, before each use of the TT Product, with the firearm in which it is installed in an unloaded condition. Never assume the TT Product works without testing it; 5. The Purchaser agrees to consistently use a trigger lock on the installed TT Product, together with any related safety mechanism on the firearm in which the TT Product is installed; 6. The Purchaser agrees to contact TriggerTech immediately in the event of any change or loss of trigger function; 7. Following installation, the Purchaser will not conduct any maintenance of the TT Product which requires disassembly of the TT Product, in whole or part; 8. In no event shall TriggerTech be

liable for any direct, indirect, incidental, special, consequential or punitive damages arising from loss of life, personal injury and/or property damage, in connection with the use or misuse of the TT product, or the firearm in which the TT Product is installed; 9. TriggerTech is not responsible for the acts or omissions of the Purchaser resulting from a lack of training or knowledge of firearms handling, or failure to properly implement such training and knowledge; 10. The Purchaser assumes the risk and all liability for death, injury, and loss and damage to persons or property caused by use or installation inconsistent with TriggerTech's instructions, negligent or intentional use or misuse of the TT Product, or the firearm in which the TT Product is installed.

TriggerTech Limited Warranty

TriggerTech warrants to the original retail purchaser that this TriggerTech product will be free from manufacturing and handling defects for thirty days after the original sale of the product, and from manufacturing defects for the life of the product. This warranty only applies if this product was manufactured and sold by TriggerTech. This warranty excludes conditions caused by excessive wear and tear, aggressive handling, unreasonable use, modifications, alternation, tampering, misuse, improper installation, or other factors outside TriggerTech's control. Modifying the product in any way VOIDS this warranty. This limited warranty does not extend to future performance.

No TriggerTech representative, distributor or reseller is authorized to assume any other obligation or liability in connection with the product, or to alter the terms of this warranty.

**ALL WARRANTIES OTHER THAN STATED
HEREIN ARE DISCLAIMED, INCLUDING
IMPLIED WARRANTIES OF MERCHANTABILITY
AND FITNESS FOR A PARTICULAR PURPOSE,**

TO THE EXTENT ALLOWABLE BY APPLICABLE LAW. ALL LIABILITY FOR INCIDENTAL, PUNITIVE, SPECIAL, OR CONSEQUENTIAL DAMAGES ARE EXPRESSLY DISCLAIMED, TO THE EXTENT ALLOWABLE BY APPLICABLE LAW.

Trigger Tech does not assume any liability arising from loss of life, personal injury and/or property damage in connection with the use, misuse or modification of the TT product, or the firearm in which the TT Product is installed.

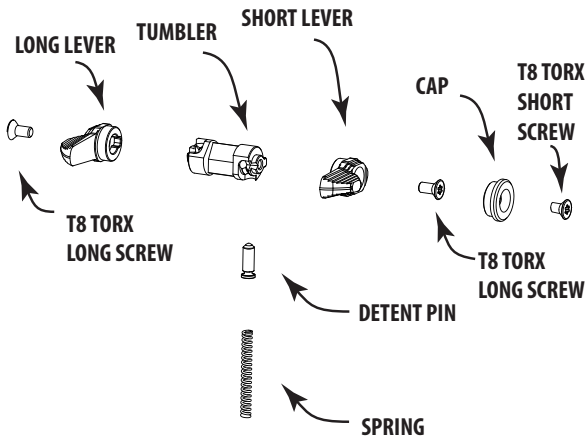
Warranties are handled directly by TriggerTech, not through our dealer network. To obtain warranty coverage, please contact us directly at the number/website below for a return authorization. Product alleged to be defective must be returned to Trigger Tech for inspection. The cost of shipping to us is the customer's responsibility. Any products determined by TriggerTech to require warranty coverage, will be replaced or repaired, at TriggerTech's sole option.

Note: Installation of your TriggerTech Safety may void all or part of your firearm manufacturer's warranty, so please check with the firearm manufacturer to find out if installation will affect your firearm warranty prior to installation of the trigger.

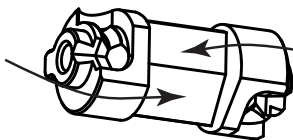
TriggerTech Satisfaction Guarantee

If you are the original purchaser and are not satisfied with your TriggerTech AR Safety, you may return it to TriggerTech within thirty (30) days of purchase, in the original packaging and with proof of purchase from us. Provided the AR Safety is undamaged, TriggerTech will refund the purchase price.

TriggerTech AR Safety Parts

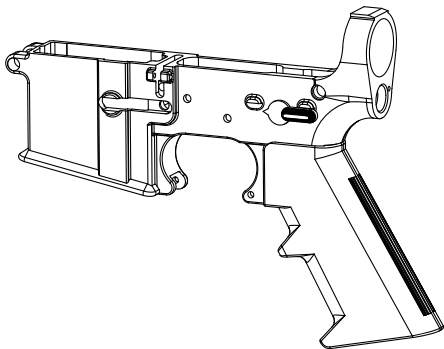


45° THROW
(larger surface)



90° THROW
(smaller surface)

Step 1: Remove your existing lower receiver

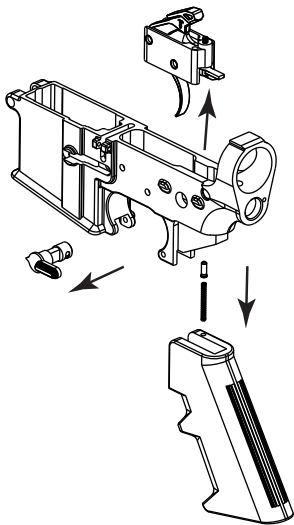


WARNING: Always point your firearm in a safe direction. Remove the magazine and all ammunition from the action and chamber before proceeding.

1a) Read TriggerTech Disclaimer and TriggerTech Limited Warranty prior to installation and use.

1b) Disassemble your firearm to gain full access to the lower receiver and existing safety assembly.

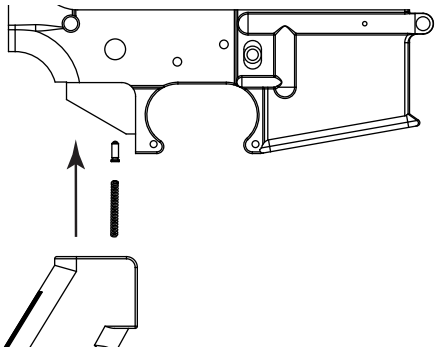
Step 2: Remove the grip, safety and trigger



2a) Remove the grip from the lower receiver. Then remove the original spring and detent that held the safety in place from the lower receiver and grip.

2b) Completely remove the existing trigger and the original safety selector.

Step 3: Install new detent and spring



3a) Install the TriggerTech detent into the safety slot in the lower receiver and put the supplied spring in the spring slot in the grip.

3b) Reassemble the grip to the lower receiver.

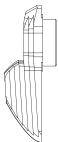
3c) Reinstall your TriggerTech Trigger and follow the trigger installation instructions.

Note: After installation, one of the benefits of the TriggerTech Safety is that you can remove and reinstall the safety without removing the grip and trigger. Our ball tipped detent pin and spring makes moving the selector switch incredibly smooth.

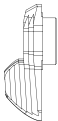
Step 4: Set left side control and tumbler orientation

4a) Left side control options:

Long Lever



Short Lever

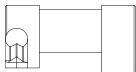


Cap

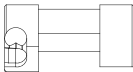


4b) Select tumbler orientation:

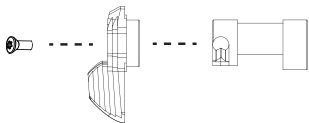
45° Throw



90° Throw



4c) Mount the left side lever to the tumbler in the desired orientation. Tighten firmly with the T8 torx key.

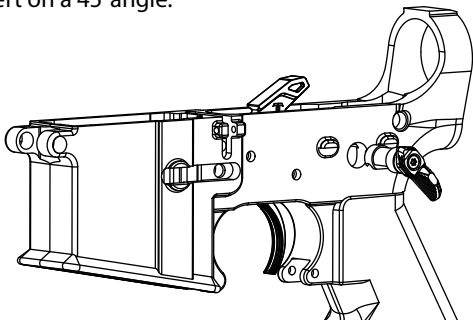


Demonstrating
Long Lever in 45°
Configuration

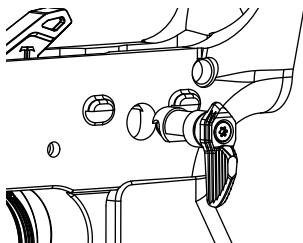
NOTE: Use long screw for levers and the short screw for the cap.

Step 5: Install the new safety

5a) Insert the safety in the lower receiver safety slot from the opposite side of the detent. For 45° engagement, insert on a 45° angle.

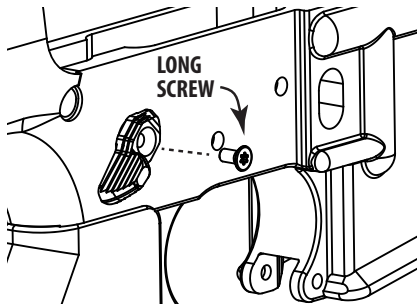


For 90° engagement, insert with the lever vertical to the firearm at 90°

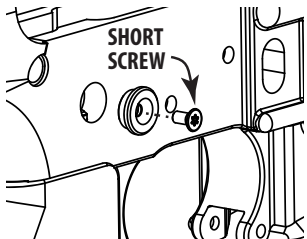


Step 5: Install the new safety

5b) Screw the other lever to the tumbler with the supplied torque key and firmly tighten.



For a single lever safety, replace the lever with the cap provided and use the short screw.



NOTE: the short and long levers are interchangeable.

Step 6: Test the safety

Prior to using your firearm, perform the following tests without ammunition.

6a) Safety on Fire, charge bolt, safety on Safe, pull trigger firmly - trigger should NOT fire - Trigger should not make any audible clicks.

6b) Safety on Fire, charge bolt, safety on Safe, pull trigger firmly, release trigger, safety on Fire - Trigger should NOT fire.

6c) Safety on Fire, charge bolt, safety on Safe, pull trigger firmly, release trigger, safety off, pull trigger - trigger should fire.

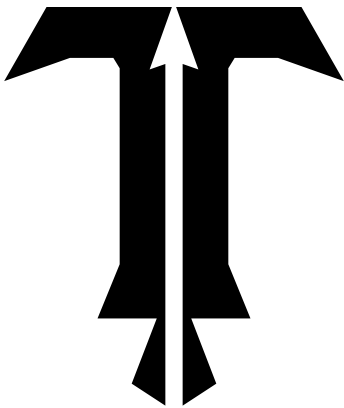
WARNING: The TriggerTech AR Safety is designed to work with TriggerTech Triggers. If your safety fails any of these tests contact TriggerTech or your local gunsmith.

If you are using the safety with a TriggerTech trigger you will have to loosen the snug down screws before installing the safety and re-tightening them with hammer in the cocked position and the safety in the SAFE position after the safety installation. This is done to fit your safety to your trigger. Please refer to the TriggerTech Trigger Installation Guide for more information.

Live Ammunition Testing at Range:

6) Once 6a, b, & c have been successfully passed without ammunition, you can begin using ammunition at a range.

WARNING: If you are not comfortable performing these tests, contact your local gunsmith.



Questions?

[TriggerTech.com/pages/faq](https://www.TriggerTech.com/pages/faq)

1-888-795-1485

Support@TriggerTech.com

www.TriggerTech.com