



# **PSP Ring Adapter**

## **Manual**

# Content

Description

Package Contents

Mounting

Selection Table for Optical Device Inserts

Recommendations for using the PSP Ring Adapter

Legal Compliances and Disclaimers

# Description

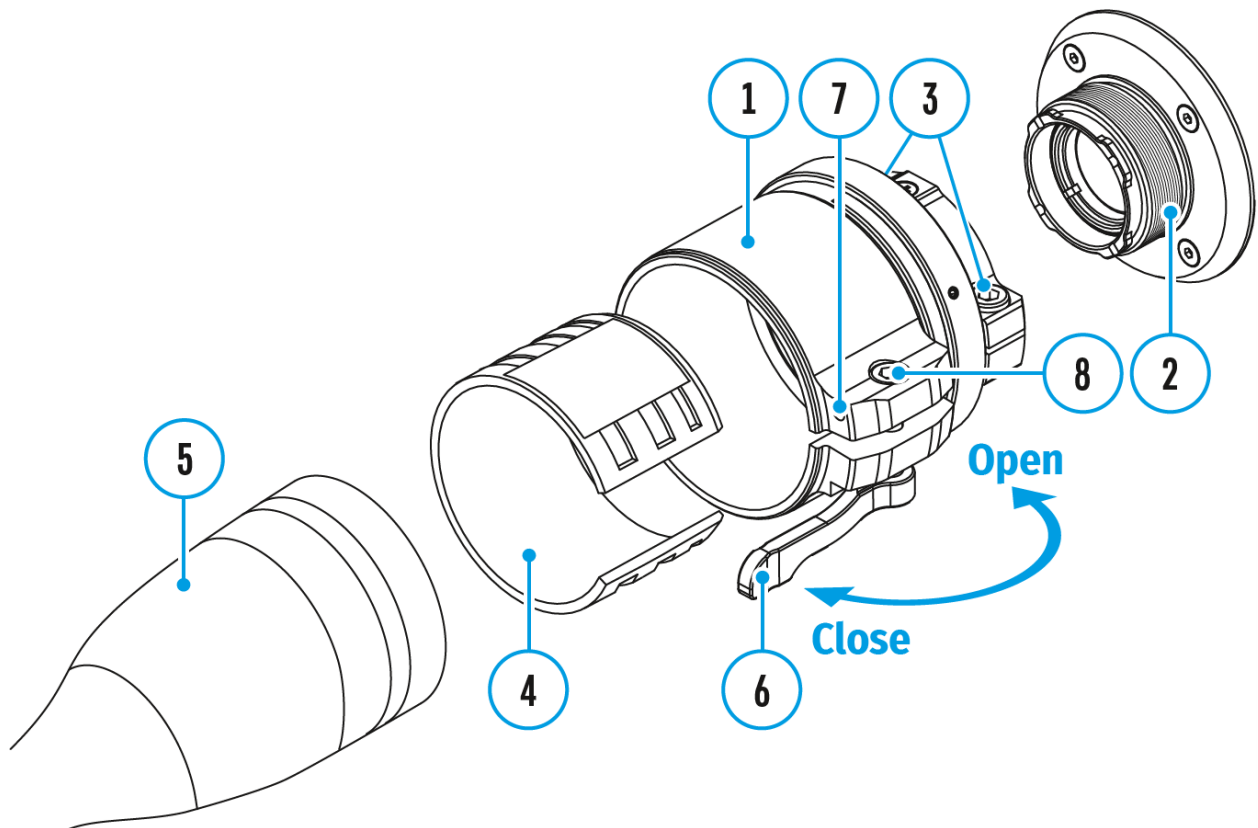
**Ring Adapters PSP-42, PSP-50 and PSP-56** are designed to mount **Krypton** and **Proton** devices on the lenses of various daylight devices.

# Package Contents

- PSP Ring Adapter
- Adapter inserts
- Hex keys
- Double-sided tape
- User manual

# Mounting

[http://www.youtube.com/embed/iZrpBL-0czs?t=2s&ab\\_channel=PulsarVision](http://www.youtube.com/embed/iZrpBL-0czs?t=2s&ab_channel=PulsarVision)



**1.** Remove the protective cover from the eyepiece of the front lens mounted module.

**2.** Select the Ring Adapter (**1**) with the insert(**4**) of the desired diameter depending on the outer diameter of the lens of your optical device (**5**) (see [Table](#)). The designation 42 mm / 50 mm / 56 mm in the name of the adapter means the lens diameter of the optical device.

- 3.** Screw together the Ring Adapter**(1)** and the front lens mounted module along the threads of the mounting area **(2)** until it stops. Then untighten a little (no more than one turn) so that the lever **(6)** is on the right side (see Figure).
- 4.** Evenly tighten the screws **(3)** until the ball joint grips in the Ring Adapter **(1)**.
- 5.** Apply 2-3 strips of double-sided tape to the outer surface of the insert of your choice **(4)**.
- 6.** Push the insert **(4)** of your choice into the Ring Adapter**(1)** until it stops.
- 7.** Move the lever **(6)** to the OPEN position.
- 8.** Before installing the Ring Adapter **(1)** onto the optical device, it is recommended to degrease the lens body of the optical device **(5)**.
- 9.** Mount the Ring Adapter with the insert onto the lens of the daylight optical device (5) as far as it will go.
- 10.** If the Ring Adapter **(1)** with the insert**(4)** selected according to the table cannot be mounted onto the lens**(5)**, follow the steps below:
  - Loosen the locking screw **(7)** with a 2mm Allen key.
  - Untighten the screw **(8)** with a hex wrench (S = 4mm) until the Ring Adaptor with the insert can be mounted onto the lens **(5)**.
- 11.** Move the lever **(6)** from its initial OPEN position to the CLOSE position.
- 12.** Loosen the locking screw**(7)** with a 2mm Allen key, if it hasn't been done before.
- 13.** Tighten the screw **(8)** with an Allen key (S = 4mm). The clamping force should be 1.5-2 Nm (use a torque screwdriver) to ensure the lever is correctly tightened **(6)**, while the Ring Adapter with the front lens mounted module should not move relative to the body of the optical device**(5)**. If necessary, tighten or loosen the screw **(8)** to operate the lever **(6)** in the best way possible.

**14.** Tighten the locking screw(**7**) as far as it will go.

**15.** Turn on the front lens mounted module.

**16.** Align the image center on the display with the image center of the optical scope by carefully tilting the front lens mounted module.

**17.** Align top and bottom display boundaries parallel to the horizontal axis by turning the front lens mounted module clockwise or counterclockwise.

**18.** Having reached the best possible position of the front lens mounted module, tighten the two screws(**3**). The clamping force should be 6.5-7.5 N·m (use a torque screwdriver to check).

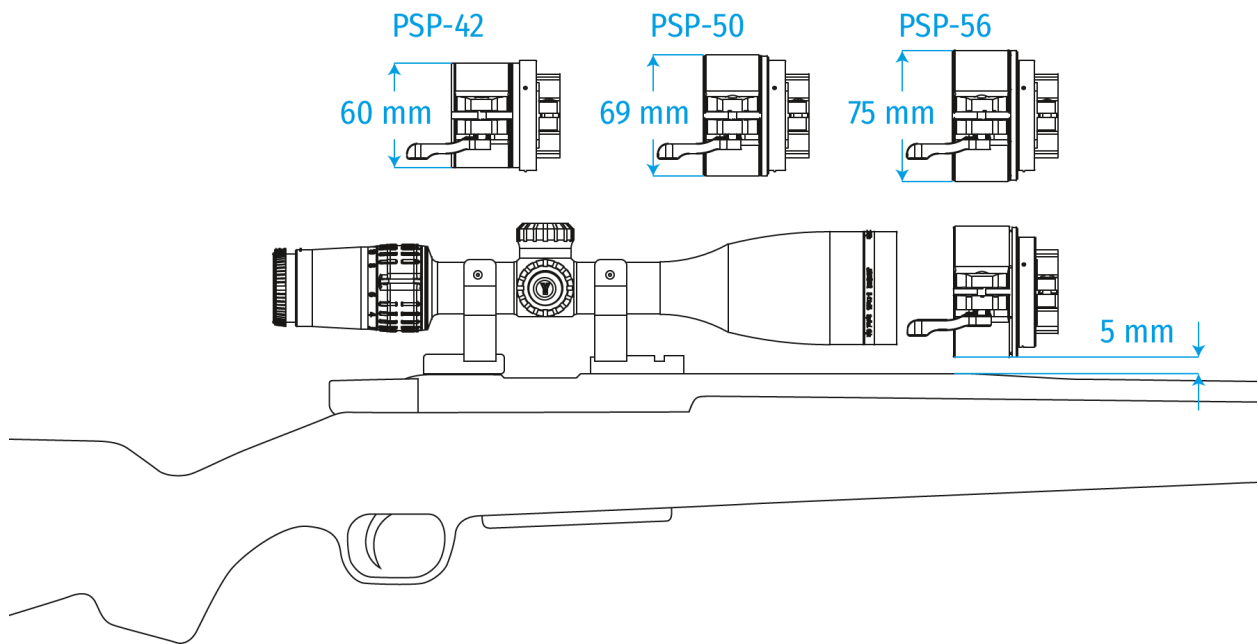
# Selection Table for Optical Device Inserts

Ring Adapter model	The internal diameter of the insert needs to match the outer diameter of the objective lens housing of the daylight optical device it is being installed on.	
	Insert internal diameter, mm	Suitable for lens housing of daylight optical devices with an outer diameter of, mm
PSP Ring Adapter 42 mm	45.5	45.5
	46	46
	46.5	46.5
	47	46.7-47.6
	48	47.7- 48.6
	49	48.7-49.6
	50	49.7-50.6
PSP Ring Adapter 50 mm	51.6	51.6
	53.4	53.4
	55	54.7-55.6
	56	55.7-56.6
	57	56.7-57.6
	58	57.7-58.6



59	58.7-59.6	
	60	59.7-60.6
	61	60.7-61.6
PSP Ring Adapter	62	61.7-62.6
56 mm	63	62.7-63.6
	64	63.7-64.6
	65	64.7-65.6

# Recommendations for using the PSP Ring Adapter



When installing the PSP Ring Adapter on the riflescope, the gap between the adapter and the rifle body must be at least 5 mm.

If the gap is insufficient, use higher rings to mount the riflescope.

# Legal Compliances and Disclaimers

The manufacturer reserves the right at any time, without mandatory notice, to make changes to the package contents, design and characteristics that do not impair the quality of the product.

For technical support please contact [support@pulsar-vision.com](mailto:support@pulsar-vision.com).

Answers to frequently asked questions about the devices can also be found in the [FAQ](#) section.

